

CUSTOM CODE

6

STANDARD CASE PRICE

Oak	Maple	Cherry/Qsawn
\$1925	\$2205	\$2350

PREMIUM FINISH PRICE

\$ 15 Distressing
 \$ 240 Paint, Passages, Glaze, or Antique Detailing
 \$ 360 Combination, Glaze w/Olde World or Weathered

DIMENSION INCREASE PRICE

Do not include decrease inches to calculate price.

2"	4"	6"	8"	10"	12"	14"	16"	18"	20"
\$300	\$345	\$390	\$450	\$525	\$600	\$675	\$750	\$825	\$900

STANDARD DIMENSIONS & CAPABILITIES

Minimum	70H	12ATW
Standard	80H	22.5ATW
Maximum	96H*	28.5ATW

* Refer to important Custom Notes below.

OPENING HEIGHTS BY STYLE

	06	11	17	20	33	44	51	54	65
A	22.5	22	22.5	22	20.5	21	21	22	22.5
B	47.25	45.5	48	47.25	46.75	46.75	46.75	47	48

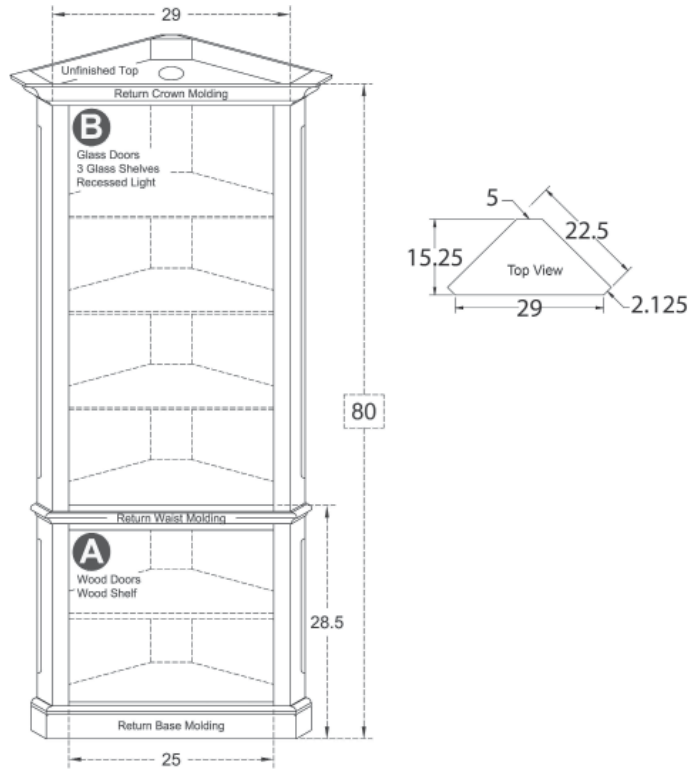
IMPORTANT CUSTOM NOTES

If mitering this cabinet to meet another

- then the 2.125W Wings must be increased to 4W. Refer to Dimension Increase Price chart.

If the height is increased to 84H or more

- then a Split Horizontal (CAHZ02 \$330 | \$330 | \$330) will be added to create a two piece cabinet top and bottom.



Exterior View by Style Standard size with molding on: 1 side | 2 sides



CC0628
24.3125W



CC1128
25.25W



CC1728
24.125W



CC2028
24.6875W



CC3328
25.5625W



CC4428
25.5625W



CC5128
25.5625W



CC5428
25.3125W



CC6528
24.625W