

MY CABINET DESIGN

HO_ _248L/R

1. DOOR & MOLDING STYLE CHOICE

- () 06 Wyndham Hill () 11 Pendelton () 17 Mill Creek
 () 20 Barrington () 33 Coventry () 44 Brighton Harbour
 () 51 American Traditions () 54 Horizons () 65 Harmony

2. WOOD CHOICE

- () Cherry () Maple () Oak () Quarter sawn Oak

3. FINISH Refer to store kiosk for finish colors.

- () Stain () Glazed Finish () Glazed Finish with Olde World Distressing
 () Passages Handrubbed Finish () Paint

Finish Name: _____

4. DISTRESSING

- () No Distressing
 () Distressing (random nicks & dents and wear sanded edges prior to finish)
 () Antique Detailing (random nicks, dents, wear sanded edges prior to finish, rasp marks, and worm holes)

included with Olde World or Passages finish selection above:

- () Olde World Distressing (random nicks, dents, wear sanded edges prior to finish, rasp marks, worm holes, gouges and glaze)
 () Passages Handrubbed Finish Distressing (random nicks, dents, wear sanded edges prior to finish, rasp marks, and worm holes)

5. LACQUER

- () Satin Lacquer () Flat Lacquer

6. HARDWARE

Number: _____ Description: _____

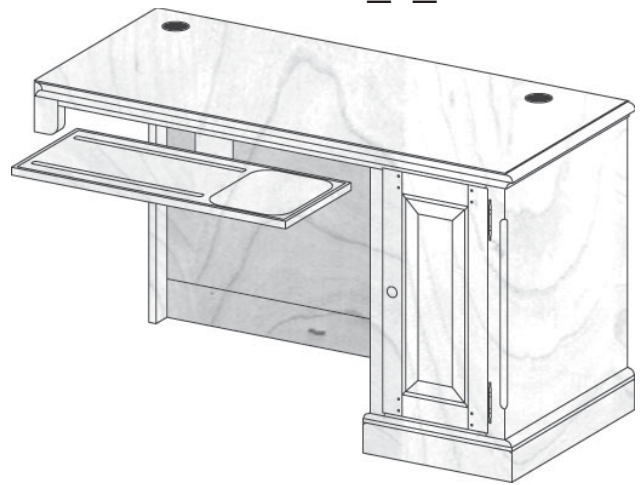
7. GLASS

- () None () Plain () Antique () Beveled () Brass Bevel Lead () Frosted
 () Lead () Mission Lead () Seeded () Straw () Wood Grills

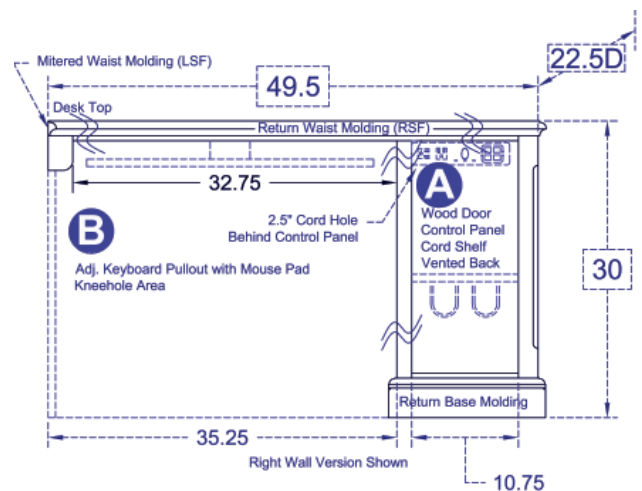
8. MOLDING

The Custom Shoppe will complete moldings between cabinets. Describe ends of grouping.

- () Molding on outside edges () No molding on outside edges
 () Other, describe: _____



(51) American Traditions shown, over for other styles



Back options for this cabinet:

- () W - Wall Back: Unfinished back
 () C - Conference Back: Finished back
 () E - Exec. Wall Back: Unfinished back raised panel sides
 () X - Exec. Conference Back: Raised panel back & sides

STANDARD DIMENSIONS AND CUSTOM CAPABILITIES

MINIMUM:	30H	46.75W	22.5D
STANDARD:	30.0H	49.5W	22.5D
MAXIMUM:	34H	58W	26.5D

DIMENSIONS

Review the standard cabinet dimensions above and note any changes required within minimum and maximum dimensions (fees apply) to accommodate your TV, components or wall.

OPTIONAL FEATURES

Extra shelves? Legs? Lighting? Cord Holes? Add or remove features for design ideas and storage needs.

ANYTHING ELSE?

Is there something you need, that you cant find in our literature - write your ideas and questions here.



HO06248 L/R
50.3125W | 51.125W



HO11248 L/R
50.3125W | 51.125W



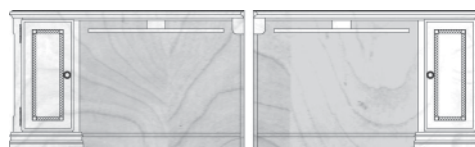
HO17248 L/R
50.125W | 50.75W



HO20248 L/R
50.3125W | 51.125W



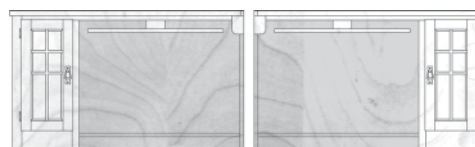
HO33248 L/R
50.625W | 51.75W



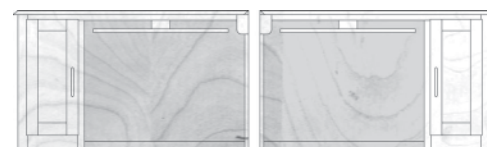
HO44248 L/R
50.3125W | 51.125W



HO51248 L/R
50.3125W | 51.125W



HO54248 L/R
50.1875W | 50.875W



HO65248 L/R
50.4375W | 51.375W