

# MY CABINET DESIGN

HO\_ \_350L/R

## 1. DOOR & MOLDING STYLE CHOICE

- ( ) 06 Wyndham Hill ( ) 11 Pendelton ( ) 17 Mill Creek  
 ( ) 20 Barrington ( ) 33 Coventry ( ) 44 Brighton Harbour  
 ( ) 51 American Traditions ( ) 54 Horizons ( ) 65 Harmony

## 2. WOOD CHOICE

- ( ) Cherry ( ) Maple ( ) Oak ( ) Quarter sawn Oak

## 3. FINISH Refer to store kiosk for finish colors.

- ( ) Stain ( ) Glazed Finish ( ) Glazed Finish with Olde World Distressing  
 ( ) Passages Handrubbed Finish ( ) Paint

Finish Name: \_\_\_\_\_

## 4. DISTRESSING

- ( ) No Distressing  
 ( ) Distressing (random nicks & dents and wear sanded edges prior to finish)  
 ( ) Antique Detailing (random nicks, dents, wear sanded edges prior to finish, rasp marks, and worm holes)

included with Olde World or Passages finish selection above:

- ( ) Olde World Distressing (random nicks, dents, wear sanded edges prior to finish, rasp marks, worm holes, gouges and glaze)  
 ( ) Passages Handrubbed Finish Distressing (random nicks, dents, wear sanded edges prior to finish, rasp marks, and worm holes)

## 5. LACQUER

- ( ) Satin Lacquer ( ) Flat Lacquer

## 6. HARDWARE

Number: \_\_\_\_\_ Description: \_\_\_\_\_

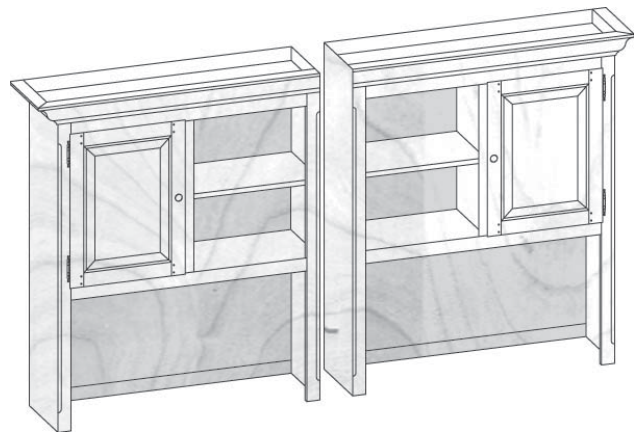
## 7. GLASS

- ( ) None ( ) Plain ( ) Antique ( ) Beveled ( ) Brass Bevel Lead ( ) Frosted  
 ( ) Lead ( ) Mission Lead ( ) Seeded ( ) Straw ( ) Wood Grills

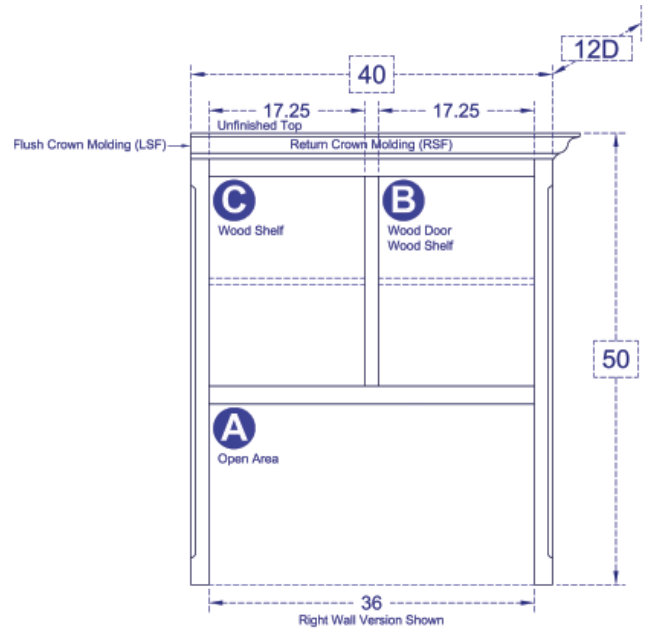
## 8. MOLDING

The Custom Shoppe will complete moldings between cabinets. Describe ends of grouping.

- ( ) Molding on outside edges ( ) No molding on outside edges  
 ( ) Other, describe: \_\_\_\_\_



(51) American Traditions shown, over for other styles



Back options for this cabinet:

- ( ) W - Wall Back: Unfinished back  
 ( ) C - Conference Back: Finished back  
 ( ) E - Exec. Wall Back: Unfinished back raised ranel sides

### STANDARD DIMENSIONS AND CUSTOM CAPABILITIES

<b>MINIMUM:</b>	40H	32W	12D
<b>STANDARD:</b>	50.0H	40.0W	12.0D
<b>MAXIMUM:</b>	66H	45.75W (47W)	22.5D

## DIMENSIONS

Review the standard cabinet dimensions above and note any changes required within minimum and maximum dimensions (fees apply) to accommodate your TV, components or wall.

## OPTIONAL FEATURES

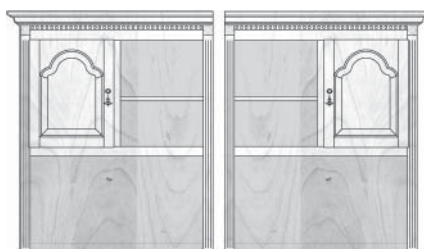
Extra shelves? Legs? Lighting? Cord Holes? Add or remove features for design ideas and storage needs.

## ANYTHING ELSE?

Is there something you need, that you cant find in our literature - write your ideas and questions here.



**HO06350 L/R**  
41.8125W | 43.625W



**HO11350 L/R**  
42.75W | 45.5W



**HO17350 L/R**  
41.625W | 43.25W



**HO20350 L/R**  
42.1875W | 44.375W



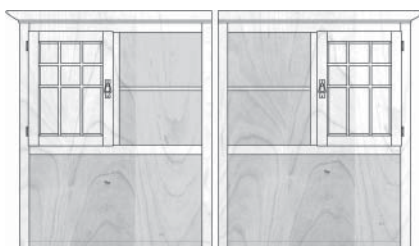
**HO33350 L/R**  
43.0625W | 46.125W



**HO44350 L/R**  
43.0625W | 46.125W



**HO51350 L/R**  
43.0625W | 46.125W



**HO54350 L/R**  
42.8125W | 45.625W



**HO65350 L/R**  
42.125W | 44.25W