

MY CABINET DESIGN

HO_ _667

1. DOOR & MOLDING STYLE CHOICE

- 06 Wyndham Hill 11 Pendelton 17 Mill Creek
 20 Barrington 33 Coventry 44 Brighton Harbour
 51 American Traditions 54 Horizons 65 Harmony

2. WOOD CHOICE

- Cherry Maple Oak Quarter sawn Oak

3. FINISH Refer to store kiosk for finish colors.

- Stain Glazed Finish Glazed Finish with Olde World Distressing
 Passages Handrubbed Finish Paint

Finish Name: _____

4. DISTRESSING

- No Distressing
 Distressing (random nicks & dents and wear sanded edges prior to finish)
 Antique Detailing (random nicks, dents, wear sanded edges prior to finish, rasp marks, and worm holes)

included with Olde World or Passages finish selection above:

- Olde World Distressing (random nicks, dents, wear sanded edges prior to finish, rasp marks, worm holes, gouges and glaze)
 Passages Handrubbed Finish Distressing (random nicks, dents, wear sanded edges prior to finish, rasp marks, and worm holes)

5. LACQUER

- Satin Lacquer Flat Lacquer

6. HARDWARE

Number: _____ Description: _____

7. GLASS

- None Plain Antique Beveled Brass Bevel Lead Frosted
 Lead Mission Lead Seeded Straw Wood Grills

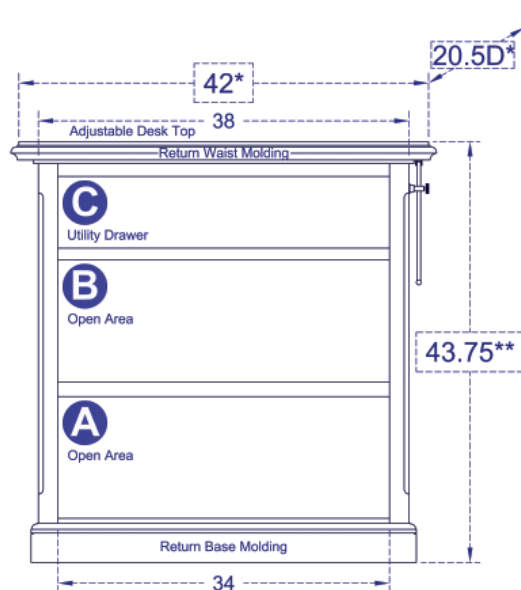
8. MOLDING

The Custom Shoppe will complete moldings between cabinets. Describe ends of grouping.

- Molding on outside edges No molding on outside edges
 Other, describe:



(51) American Traditions shown, over for other styles



Dimensions include a top overhang of 2" on each side and the front
 **Height is with the adjustable top in the down position

STANDARD DIMENSIONS AND CUSTOM CAPABILITIES

MINIMUM:	36H	26W	18.5D
STANDARD:	43.75H	42.0W	20.5D
MAXIMUM:	48H	44W	24.5D

DIMENSIONS

Review the standard cabinet dimensions above and note any changes required within minimum and maximum dimensions (fees apply) to accommodate your TV, components or wall.

OPTIONAL FEATURES

Extra shelves? Legs? Lighting? Cord Holes? Add or remove features for design ideas and storage needs.

ANYTHING ELSE?

Is there something you need, that you cant find in our literature - write your ideas and questions here.

Back options for this cabinet:

- W - Wall Back: Unfinished back
 C - Conference Back: Finished back
 E - Exec. Wall Back: Unfinished back raised ranel sides
 X - Exec. Conference Back: Raised panel back & sides



HO06667
42.625W | 43.25W



HO11667
42.625W | 43.25W



HO17667
42.625W | 43.25W



HO20667
42.625W | 43.25W



HO33667
42.625W | 43.25W



HO44667
42.8125W | 43.625W



HO51667
42.8125W | 43.625W



HO54667
42.6875W | 43.375W



HO65667
42.9375W | 43.875W
Optional Metro Legs: CAPL50 46.25H