

1. DOOR & MOLDING STYLE CHOICE

- 06 Wyndham Hill 11 Pendelton 17 Mill Creek
 20 Barrington 33 Coventry 44 Brighton Harbour
 51 American Traditions 54 Horizons 65 Harmony

2. WOOD CHOICE

- Cherry Maple Oak Quarter sawn Oak

3. FINISH Refer to store kiosk for finish colors.

- Stain Glazed Finish Glazed Finish with Olde World Distressing
 Passages Handrubbed Finish Paint

Finish Name: _____

4. DISTRESSING

- No Distressing
 Distressing (random nicks & dents and wear sanded edges prior to finish)
 Antique Detailing (random nicks, dents, wear sanded edges prior to finish, rasp marks, and worm holes)

included with Olde World or Passages finish selection above:

- Olde World Distressing (random nicks, dents, wear sanded edges prior to finish, rasp marks, worm holes, gouges and glaze)
 Passages Handrubbed Finish Distressing (random nicks, dents, wear sanded edges prior to finish, rasp marks, and worm holes)

5. LACQUER

- Satin Lacquer Flat Lacquer

6. HARDWARE

Number: _____ Description: _____

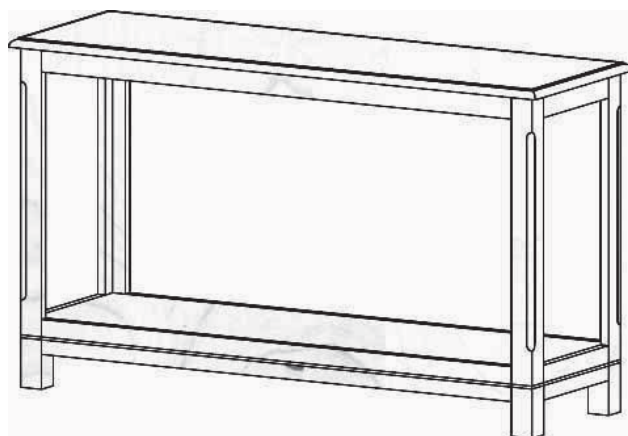
7. GLASS

- None Plain Antique Beveled Brass Bevel Lead Frosted
 Lead Mission Lead Seeded Straw Wood Grills

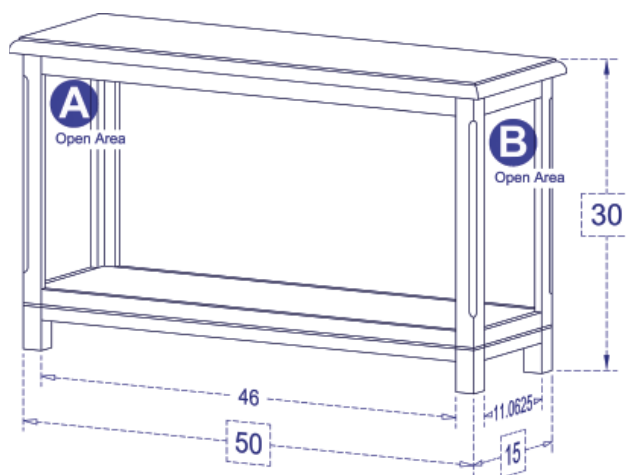
8. MOLDING

The Custom Shoppe will complete moldings between cabinets. Describe ends of grouping.

- Molding on outside edges No molding on outside edges
 Other, describe:



(51) American Traditions shown, over for other styles



STANDARD DIMENSIONS AND CUSTOM CAPABILITIES

MINIMUM:	26H	22W	14.5D
STANDARD:	30.0H	50.0W	15.0D
MAXIMUM:	36H	56W	26D

DIMENSIONS

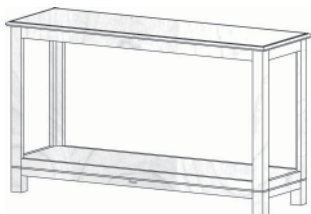
Review the standard cabinet dimensions above and note any changes required within minimum and maximum dimensions (fees apply) to accommodate your TV, components or wall.

OPTIONAL FEATURES

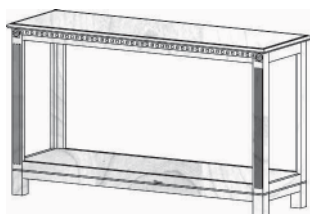
Extra shelves? Legs? Lighting? Cord Holes? Add or remove features for design ideas and storage needs.

ANYTHING ELSE?

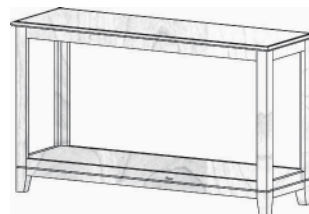
Is there something you need, that you cant find in our literature - write your ideas and questions here.



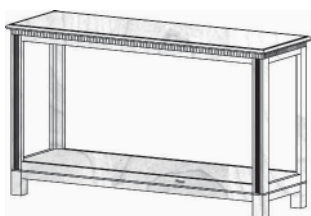
OS06920
50.75W | 51.5W



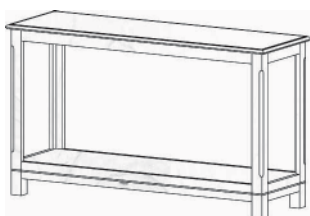
OS11920
50.75W | 51.5W



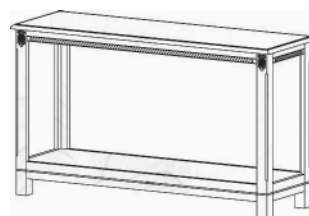
OS17920
50.75W | 51.5W



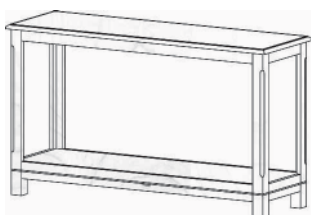
OS20920
50.75W | 51.5W



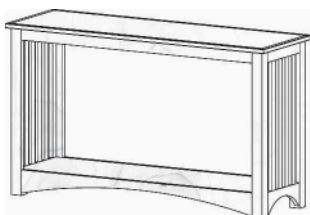
OS33920
50.75W | 51.5W



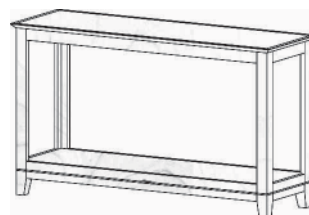
OS44920
50.75W | 51.5W



OS51920
50.75W | 51.5W



OS54920
50.75W | 51.5W



OS65920
50.75W | 51.5W